

# RADIAL FANS

## ALR

### AC LOW PRESSURE CENTRIFUGAL FANS

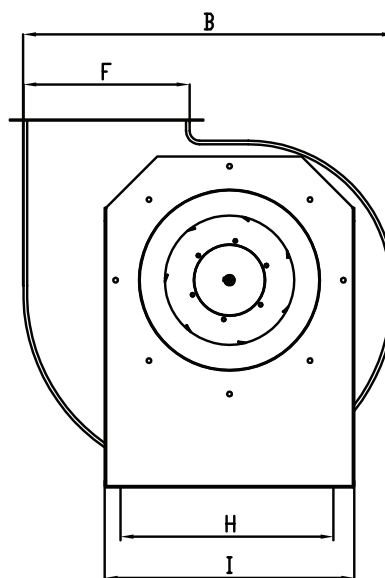
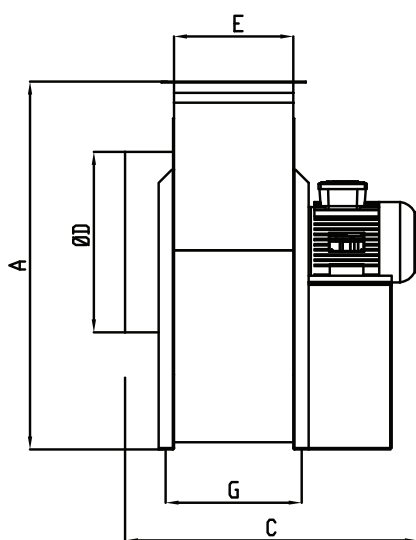


More air with low static pressure.  
 Air flow: 1500 – 10.000 m<sup>3</sup>/h  
 Pressure: 100-750 Pa  
 Directly coupled motor.(single-phase, three-phase)  
 Due to it's special screwing feature, plate can be turned in any blowing position.



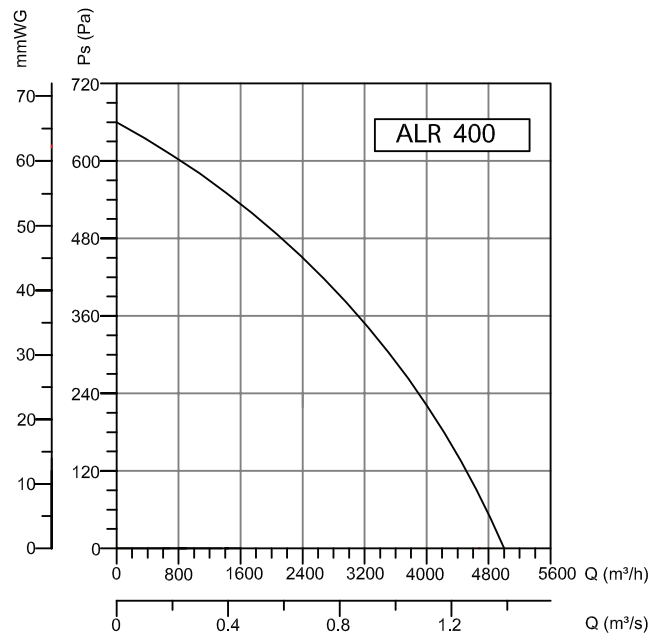
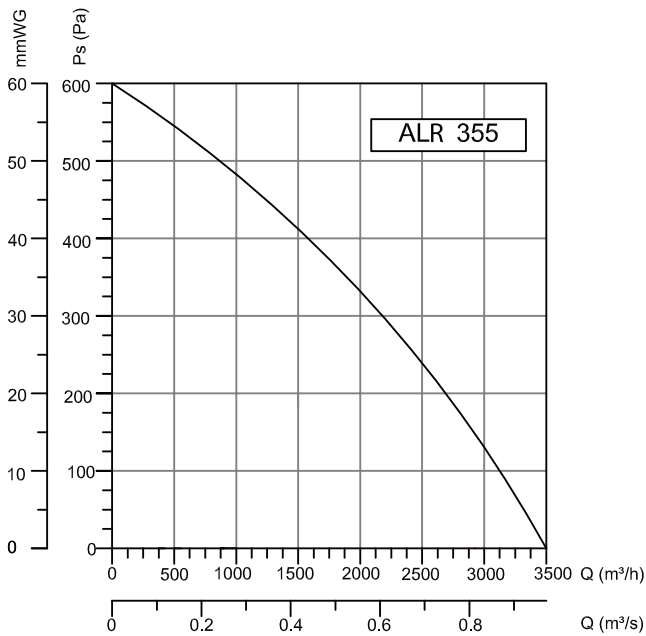
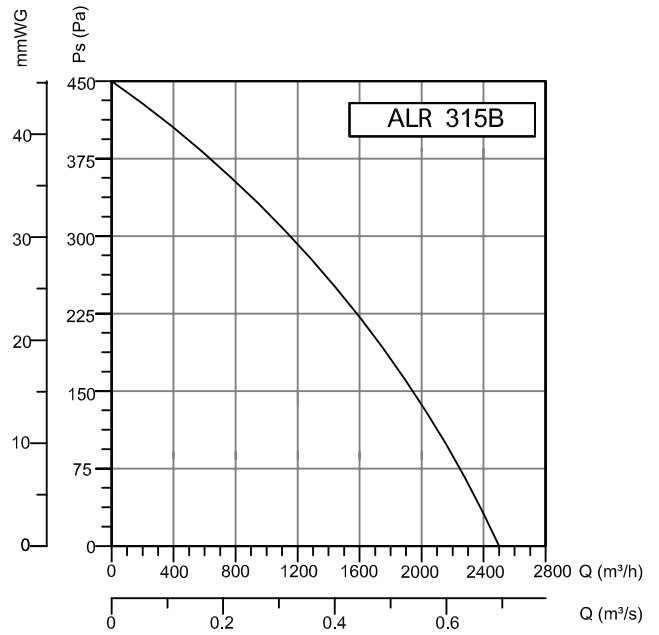
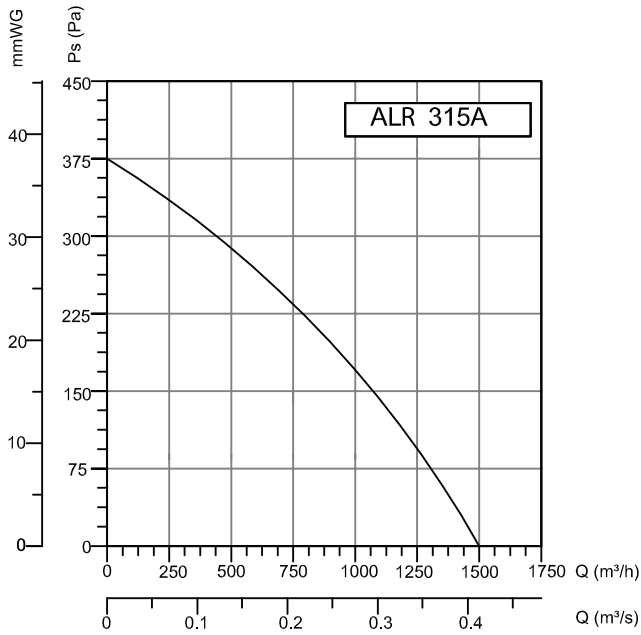
- MATERIAL** : Casing is made of galvanized sheet metal. Impeller is made with special designed backward curved metal sheet.
- INSULATION CLASS** : Class F
- DIRECTIVE** : EN 60335-1, EN 60335-2-80
- SPEED CONTROL** : Speed can be adjusted using an optional controller.
- APPLICATION AREAS** : Various Ventilation, Heating and cooling applications, where high volume of air flow needed at minimum pressure.

### Technical Drawings



TYPE	A	B	C	D	E	F	G	H	I
315	595	567	450	250	176	256	219	319	380
355	670	639	456	300	182	286	224	359	419
400	745	720	568	350	221	316	265	424	484
450	830	810	587	350	236	356	278	465	525
500	930	906	650	427	279	400	322	524	584
560	1030	1015	703	470	313	448	354	604	704

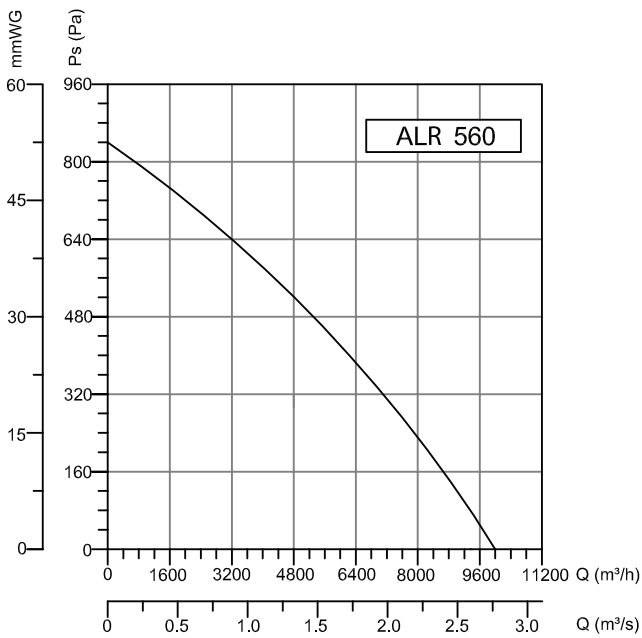
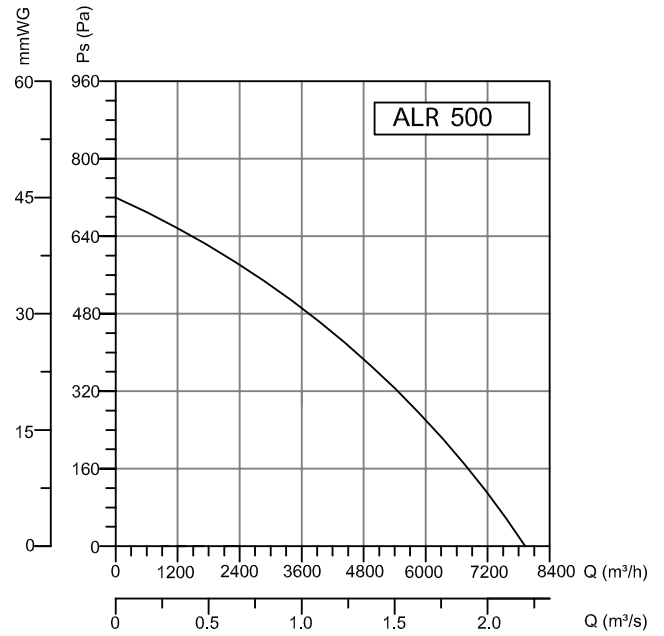
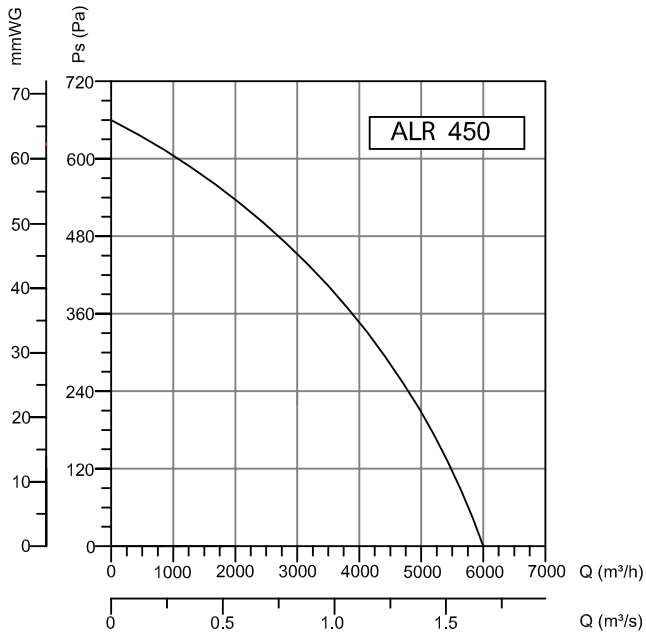
Dimensions are in (mm)



TYPE	VOLTAGE	FREQUENCY	POWER	CURRENT	SPEED	AIR FLOW	SOUND PRESSURE LEVEL	WEIGHT
	V	Hz	Kw	(A)	d/d	m³/h	dB(A)	kg
ALR 315 A-M / 315-T	230/380	50	0,25	1,6/0,67	1450	1500	50	22
ALR 315 B-M / 315-T	230/380	50	0,37	2,5/1,05	1420	2500	50	22
ALR 355-M / 355-T	230/380	50	0,55	3,5/1,27	1450	3500	53	32
ALR 400-M / 400-T	230/380	50	0,75	5/1,8	1450	5000	70	41
ALR 450-M / 450-T	230/380	50	1,1	7/2,4	1450	6000	72	50
ALR 500-M / 500-T	230/380	50	1,1	7/2,4	1420	8000	75	62
ALR 560-M / 560-T	230/380	50	1,5	9,8/3,3	1400	10000	75	77

 DUCT FANS  
 ROOF FANS  
 AXIAL FANS  
**RADIAL FANS**  
 PLASTIC FANS  
 VENTILATORS  
 SMOKE EXHAUST SYSTEMS  
 ACCESSORIES

# RADIAL FANS

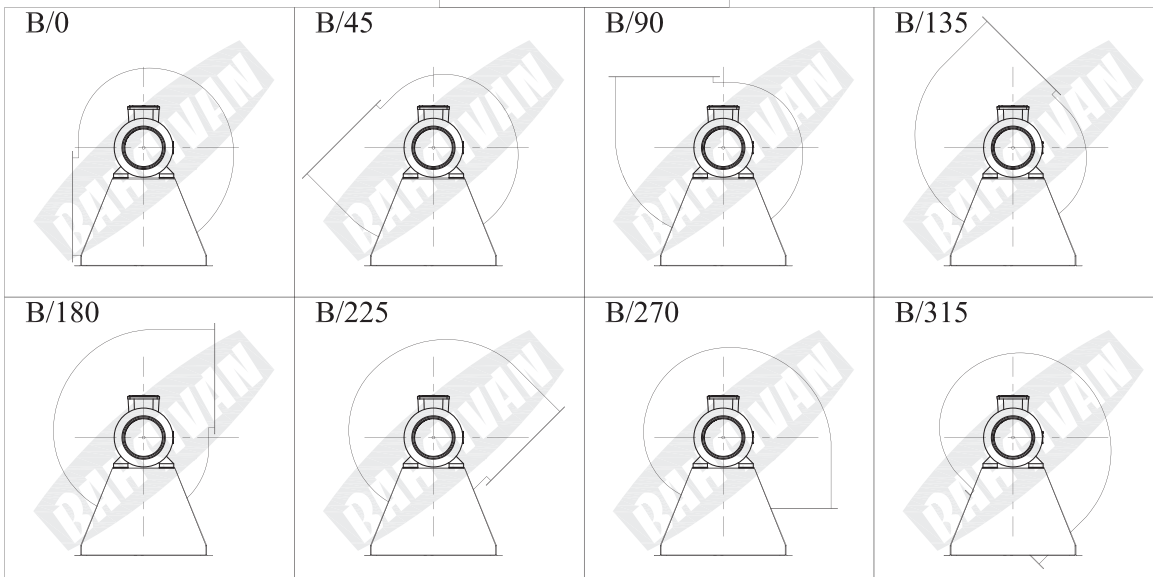
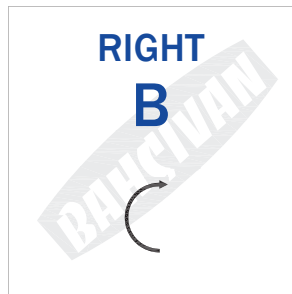
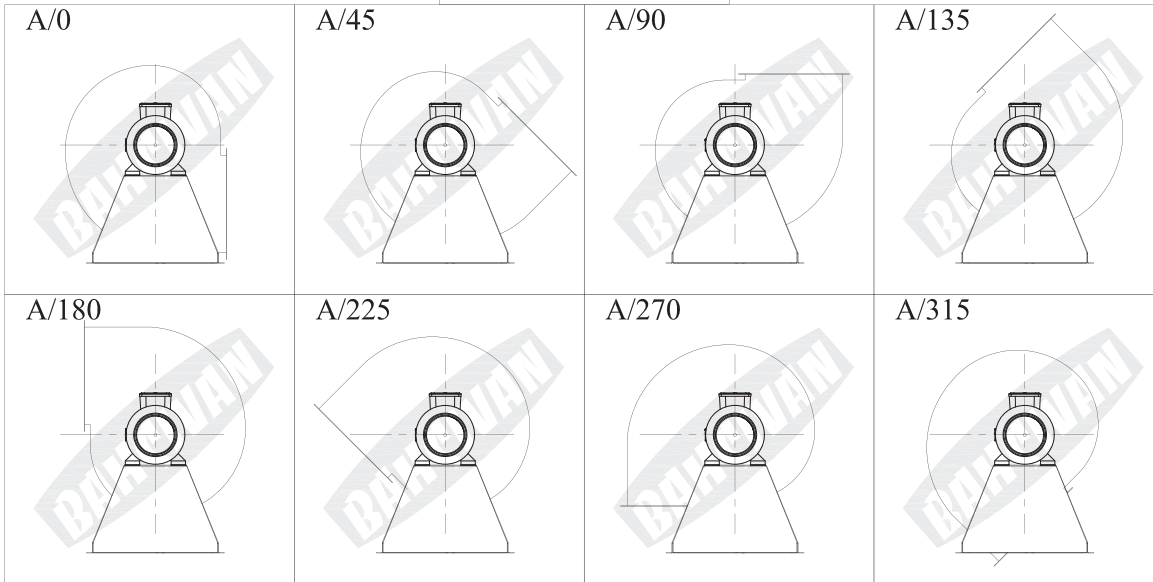


## Accessories



**BSC-F**

## SUCTION - BLOWING DIRECTIONS



DUCT FANS

ROOF FANS

AXIAL FANS

**RADIAL FANS**

PLASTIC FANS

VENTILATORS

SMOKE EXHAUST SYSTEMS

ACCESSORIES