

# DUCT FANS

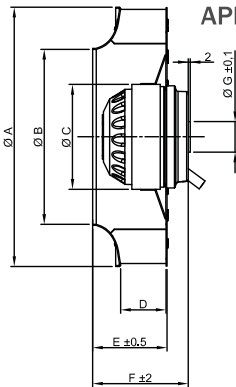
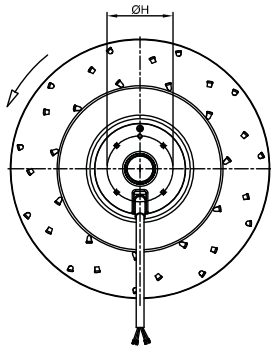


## BDRKF

### AC CENTRIFUGAL MOTORIZED IMPELLERS Backward Curved

Strong air suction / high pressure / high efficiency / powerful design / low noise / laminar air flow

#### Technical Drawings



#### MATERIAL

: Impeller is made of galvanized sheet metal or aluminium sheet.

#### INSULATION CLASS

: Class B & Class F

#### DIRECTIVE

: EN 60335, EN 60335-2-80

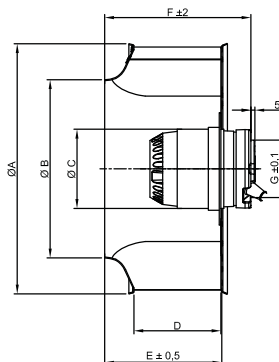
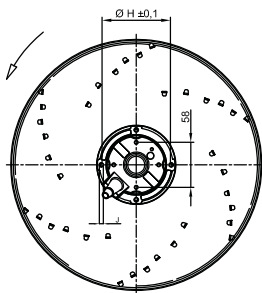
#### SPEED CONTROL

: Speed can be adjusted using an optional controller.

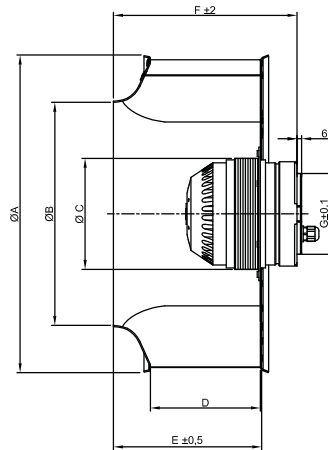
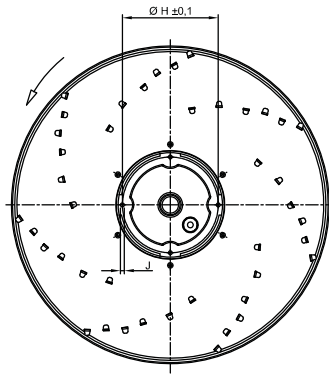
#### APPLICATION AREAS

: For industrial applications, duct fans, roof fans, centrifugal fans, heat exchangers, Air Handling Units, in factories, hospitals, laboratories, offices, kitchens, etc.

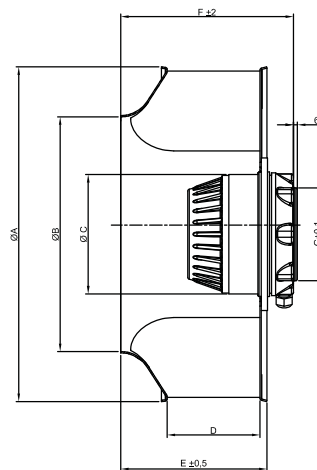
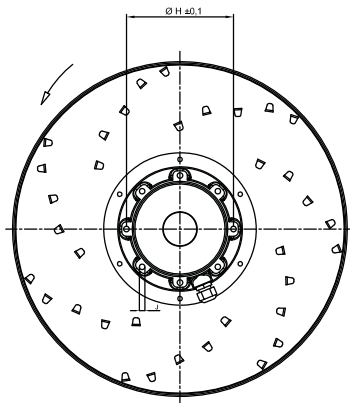
TYPE	A	B	C	D	E	F	G	H	J
BDRKF 160	162	121,5	92	40	60	74	27	58	M4
BDRKF 180	180	121,5	92	40	60	84,5	27	58	M4
BDRKF 225	227	153	92	50	76	102	27	58	M4
BDRKF 250	252	172,5	92	50	79	102	27	58	M4
BDRKF 280	281	190	92	50	85	120,5	27	58	M4



TYPE	A	B	C	D	E	F	G	H	J
BDRKF 315	316	209	102	102	141	168	74	90	M6
BDRKF 355	356	243	102	102	113	172	74	90	M6



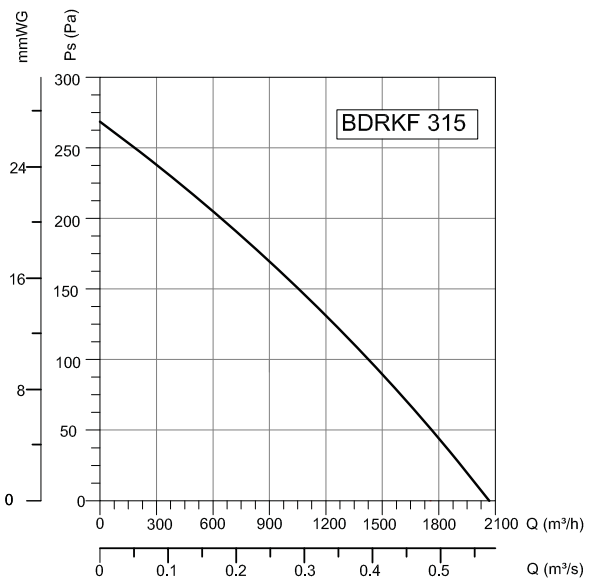
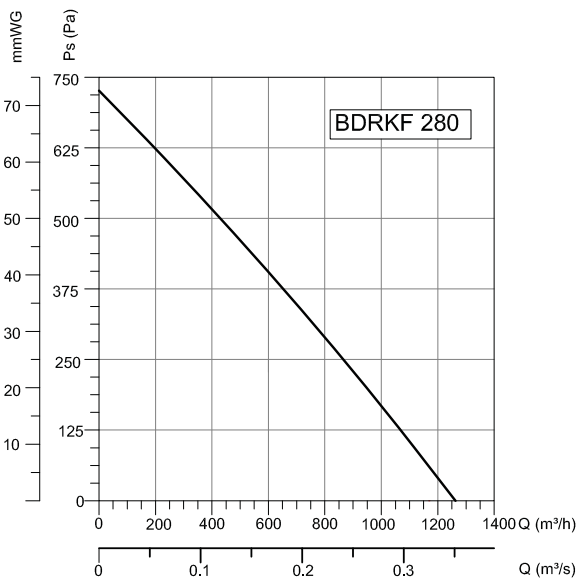
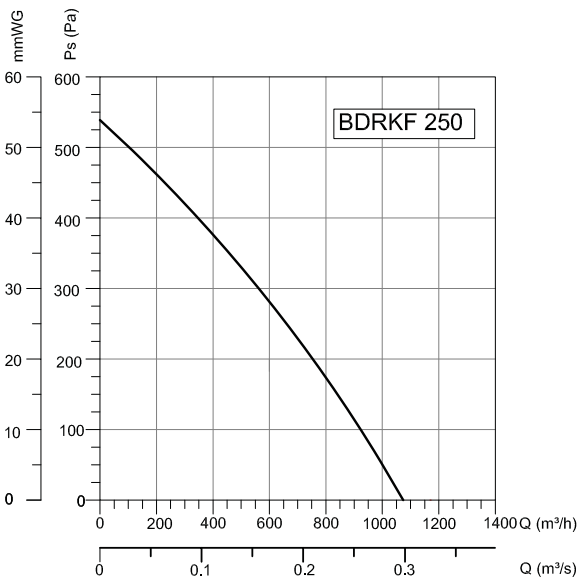
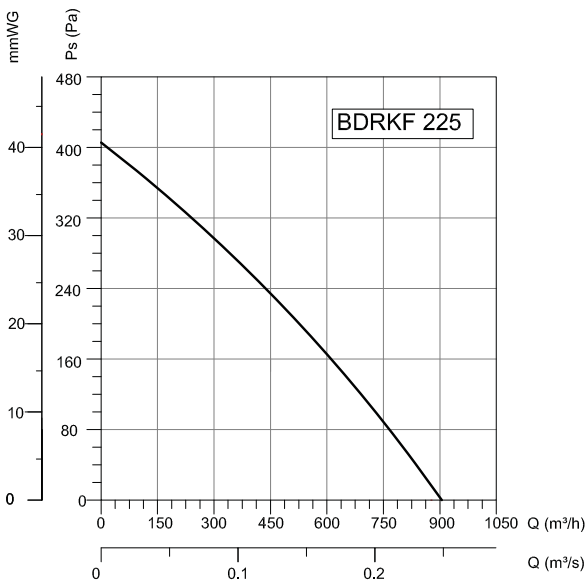
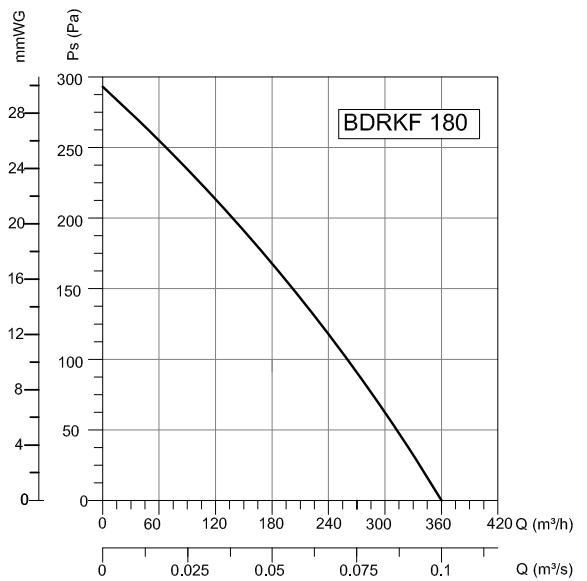
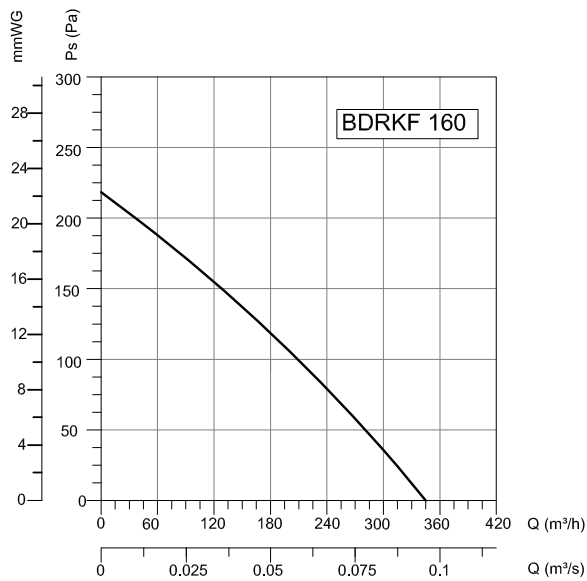
TYPE	A	B	C	D	E	F	G	H	J
BDRKF 400	404	284	137,5	112	160	201	100	115	M6
BDRKF 450	455	295	137,5	125	177	217	100	115	M6

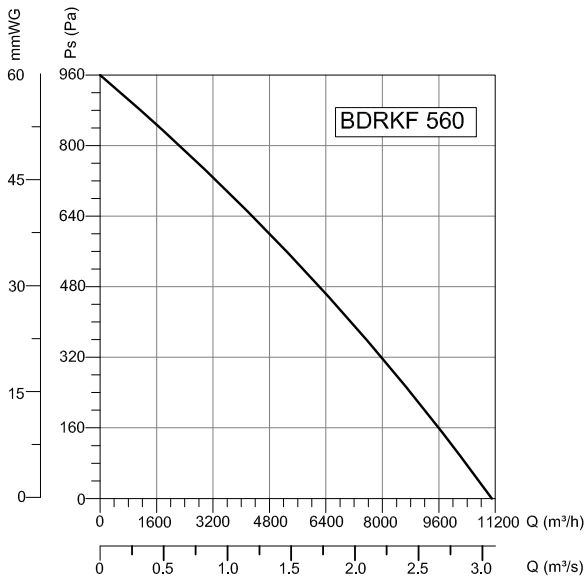
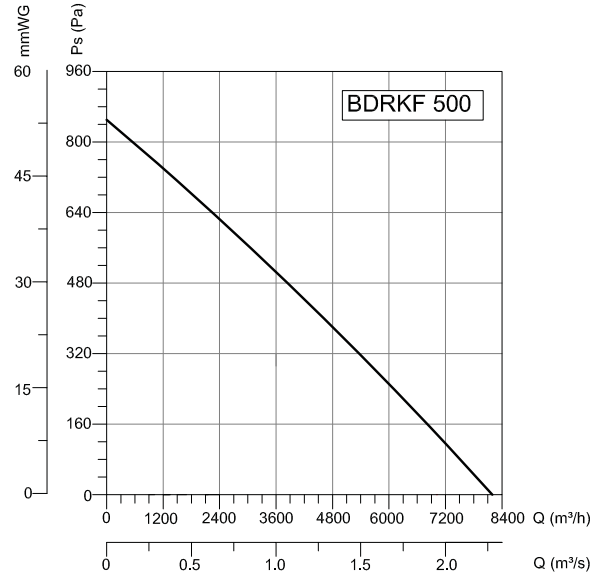
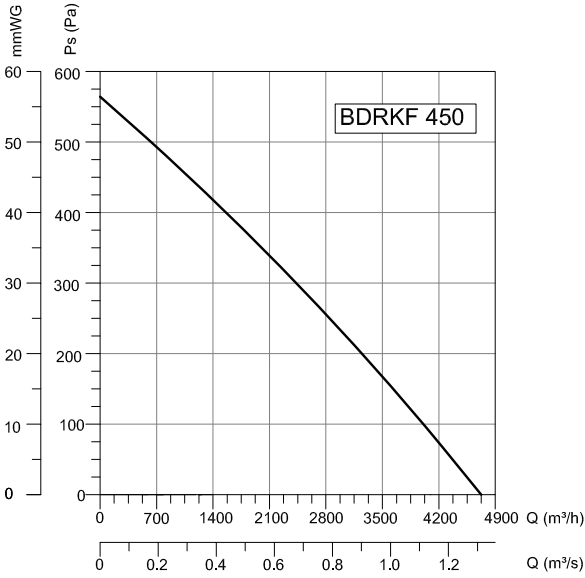
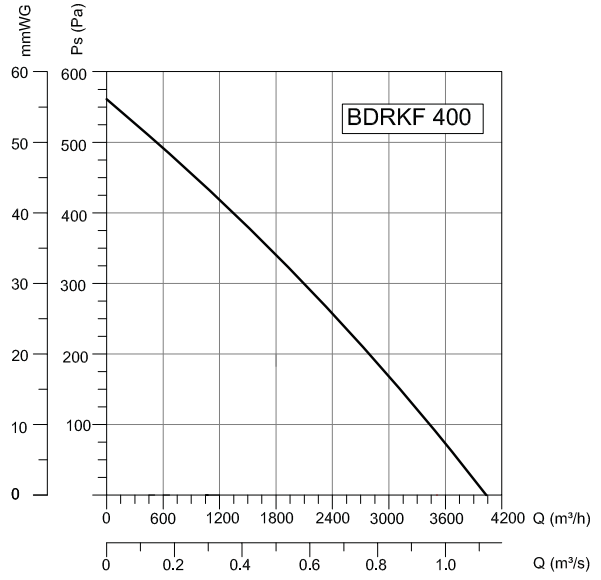
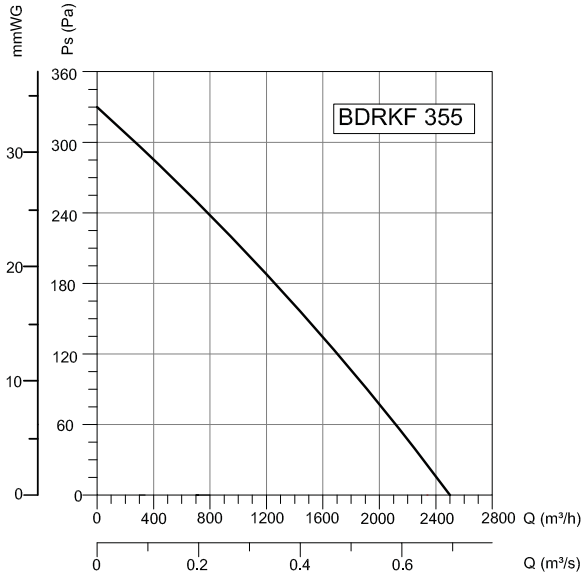


TYPE	A	B	C	D	E	F	G	H	J
BDRKF 500	505	354	177,5	140	220	260	140	162	M10
BDRKF 560	565	395	177,5	160	242	280	140	162	M10

TYPE	VOLTAGE	FREQUENCY	POWER	CURRENT	CAPACITOR	SPEED	AIR FLOW	SOUND PRESSURE LEVEL	WEIGHT
	V	Hz	W	(A)	(µF)	d/d	m <sup>3</sup> /h	dB(A)	kg
BDRKF 160	230	50	75	0,33	2,5	2570	346	55	1,4
BDRKF 180	230	50	85	0,4	2,5	2410	360	58	1,6
BDRKF 225	230	50	105	0,48	4	2650	902	65	2,3
BDRKF 250	230	50	125	0,55	5	2710	1124	68	2,8
BDRKF 280	230	50	195	0,85	7	2620	1254	68	3,3
BDRKF 315	230	50	120	0,6	4	1400	2061	55	5,8
BDRKF 355	230	50	190	1,01	6	1400	2500	58	6,5
BDRKF 400	230	50	350	1,6	12	1400	4000	68	10,4
BDRKF 450	230	50	490	2,1	18	1412	4750	70	12
BDRKF 500	380	50	940	2,4	-	1420	8200	70	17
BDRKF 560	380	50	1500	2,7	-	1350	11000	75	22

# DUCT FANS





### Accessories



**BSC**



**BSC-F**

DUCT FANS

ROOF FANS

AXIAL FANS

RADIAL FANS

PLASTIC FANS

VENTILATORS

SMOKE EXHAUST SYSTEMS

ACCESSORIES